



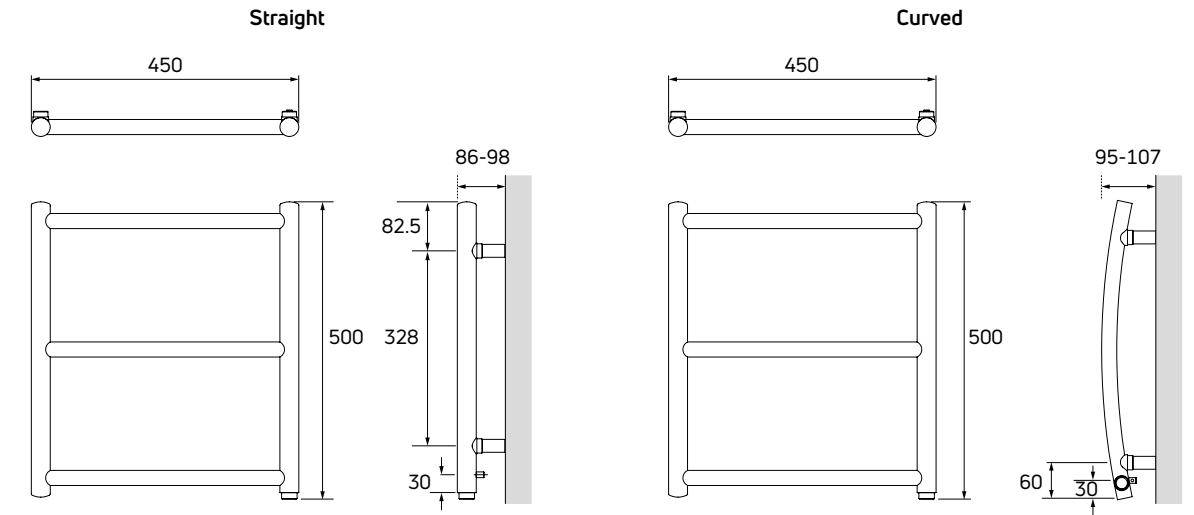
# INNOKO

Simple and attractive, INNOKO has been designed with a small bathroom, kitchen or cloakroom in mind. This electric towel warmer is available in straight or curved models with left and right hand options. INNOKO is easy to install, virtually maintenance free and can be used alongside KICKSPACE® to provide the perfect drying and heating solution for any kitchen, see page 142. Fitted with APM® technology, the INNOKO is manufactured from brass with a high quality chrome plated finish.



INNOKO CURVED  
(RIGHT HAND CONNECTION)

## Dimensions



NB: All measurements are nominal.

## General specification

- CERTIFICATION**  
Produced under a quality management system - ISO 9001:2015, environmental management system - ISO 14001:2015 and Occupational health and safety management system - OHSAS 18001. Carries the CE mark and conforms to the Low Voltage Directive 2014/35/EU and the EMC Directive 2014/30/EU.
- ACCESSORIES**  
Please see page 138.
- SEALED ELECTRIC**
- IP RATING**  
IP64.
- DELIVERY**  
Non-stocked item: 7 - 9 weeks.
- APM® TECHNOLOGY**  
Fitted with the latest APM® element technology. Please see page 265.
- WASTE DISPOSAL**  
According to The WEEE Directive (2012/19/EU). Please see page 265.
- GUARANTEE**  
2 year guarantee from date of purchase against manufacturing defects.
- COLOUR**  
Finished in chrome.
- ECO DESIGN DIRECTIVE**  
Out of Scope. Towel warmers exempt from Directive.



INNOKO STRAIGHT  
(RIGHT HAND CONNECTION)

For more general information, please see page 264.

## Technical information & heat outputs

### INNOKO straight

Order Code	Connection Position	Nominal Height (mm)	Nominal Length (mm)	Weight (kg)	Rated Watts
PETSCL*	LEFT	500	500	5.0	40
PETSCR*	RIGHT	500	500	5.0	40

### INNOKO curved

PETCCL*	LEFT	500	500	5.0	40
PETCCR*	RIGHT	500	500	5.0	40

\*Non-stock - made to order only.